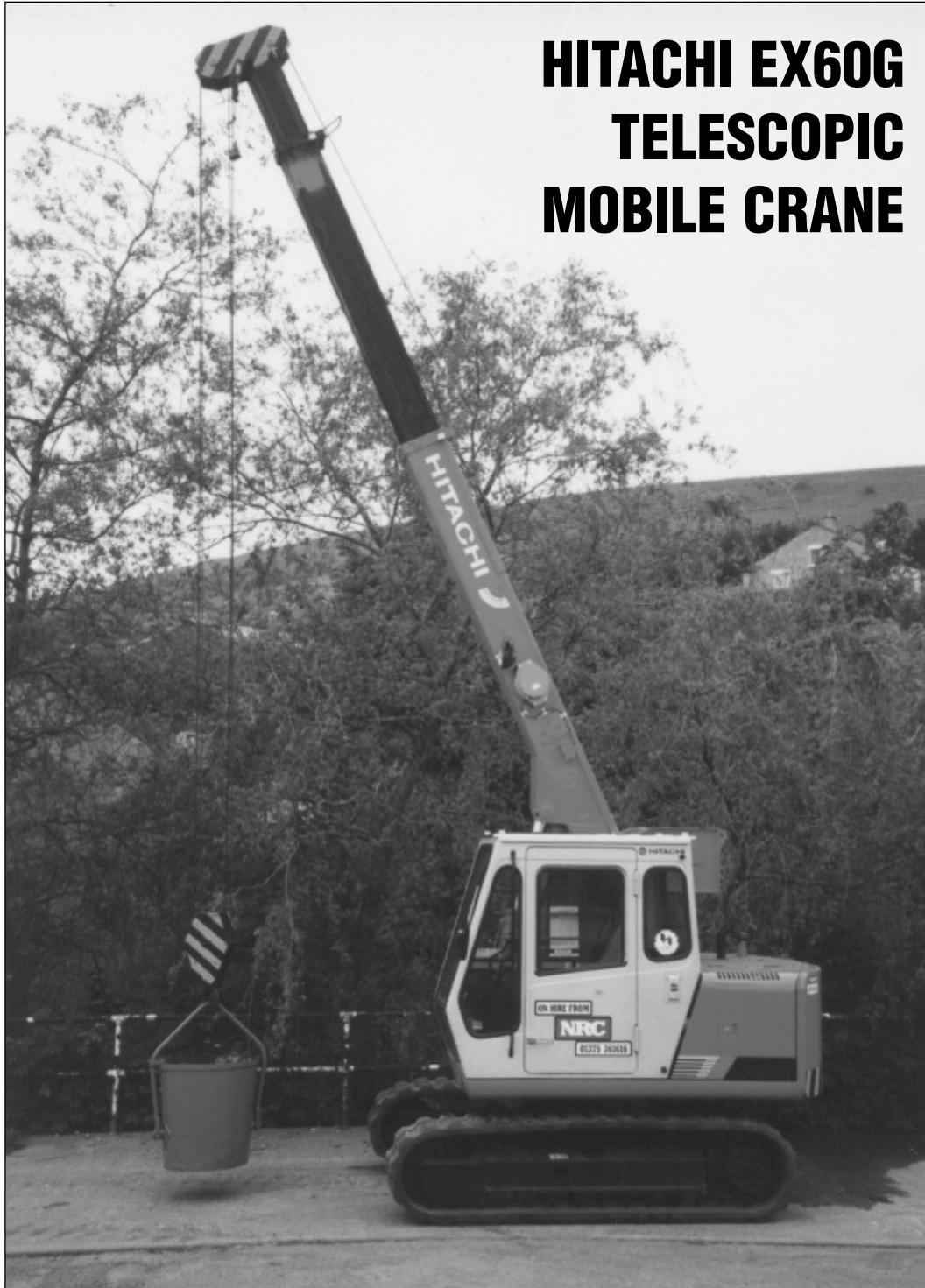


# HIRE



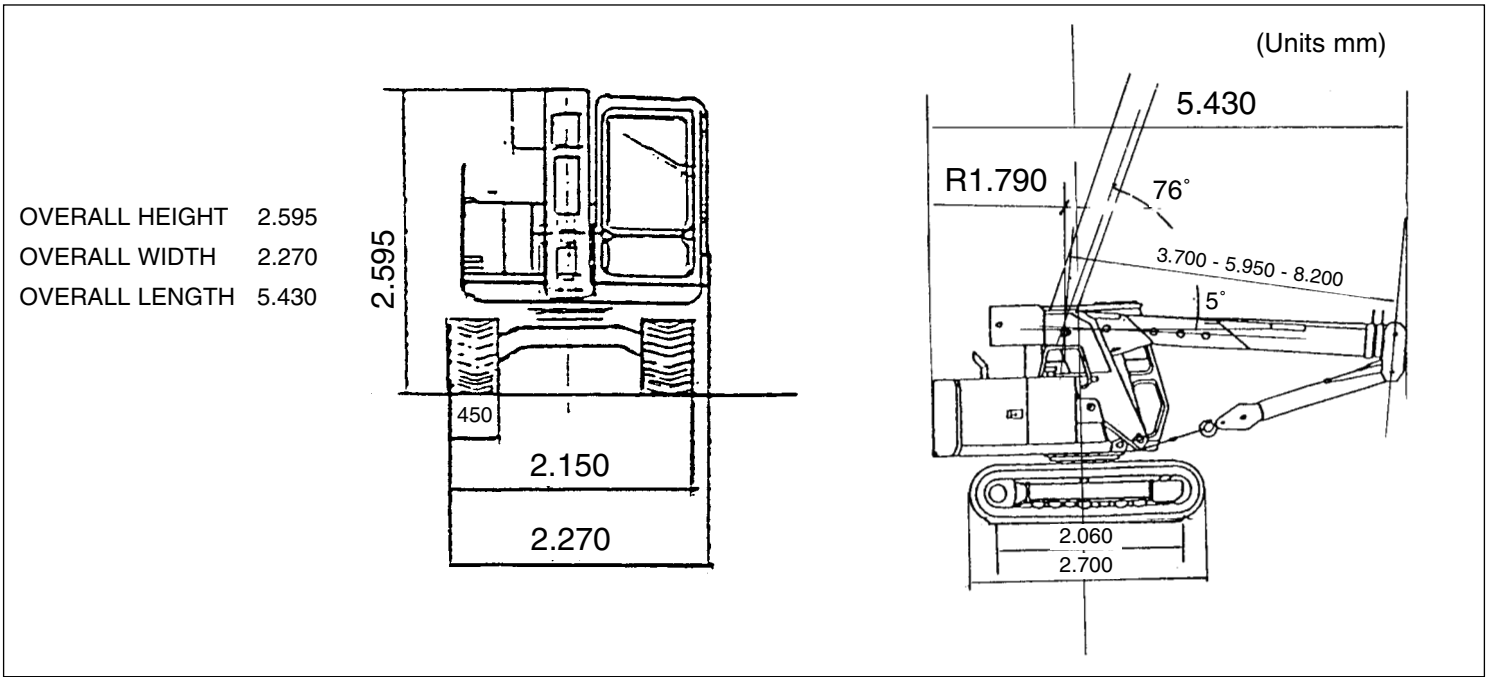
## HITACHI EX60G TELESCOPIC MOBILE CRANE



**HEAD OFFICE:**  
N R C PLANT LTD  
NEAGRON HOUSE, STANFORD ROAD  
ORSETT, ESSEX RM16 3BX  
Telephone: 01375 361616  
Fax: 01375 361818

*sales@nrcplant.co.uk*  
*www.nrcplant.co.uk*

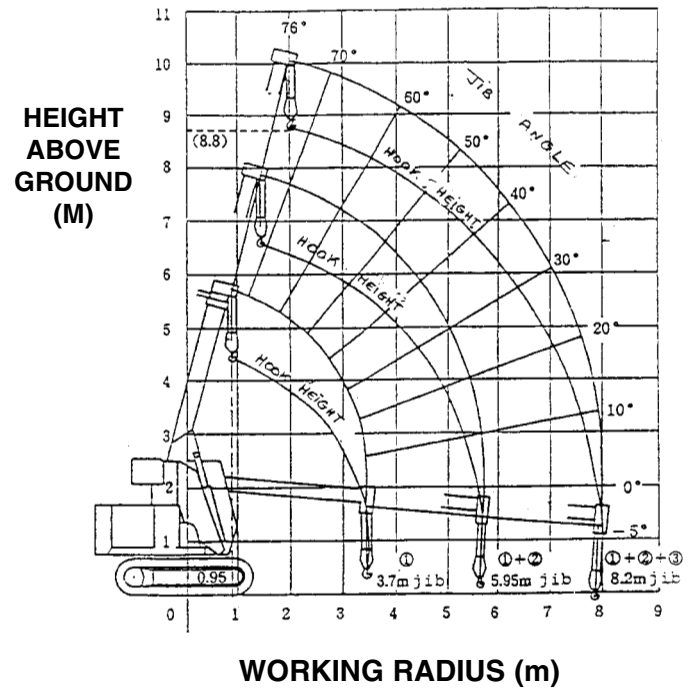
## DIMENSIONS



## SPECIFICATION

Operational Data		EX60G
Maximum rated gross load x working radius	(t x m)	4.7 x 2.0 (4 ropes)
Fully equipped weight	(Kg)	7.300
Engine	Type	Nissan FD3304
	Rated output (PS/r.p.m.)	55/2.200
	Fuel tank (Lts)	135
Ground pressure	(Kg/cm <sup>2</sup> )	0.36
Turning speed	(r.p.m.)	2.0
Travelling speed	(Km/h)	4.0
Gradient	(%)	58 (30°)
Hoist & lowering speed	(m/min)	12.5 (3 layer, 4 ropes)
Main jib raising speed	(sec)	-5° - 76°/12.0
Main jib extending speed	(sec)	4.5m/13.0

## WORKING RANGE DIAGRAM (Main Jib)



## LOAD TABLE

RADIUS (m)	JIB LENGTH 3.7 - 5.95m				5.95 - 8.2m	
	STATIC		MOBILE	STATIC		MOBILE
	4 FALL	2 FALL	4 FALL	4 FALL	2 FALL	4 FALL
2.0	4710	2400	1923	3365	2400	1682
2.1	4326	2400	1923	3365	2400	1682
2.25	3846	2400	1923	3365	2400	1682
2.45	3365	2400	1683	3365	2400	1682
2.7	2884	2400	1442	2884	2400	1442
3.0	2461	2400	1230	2461	2400	1230
3.5	1961		980	1961		980
4.0	1625		812	1625		812
4.5	1375		687	1375		687
5.0	1182		591	1182		591
5.5	1029		514	1028		514
5.75	962		480	961		480
6.0				923		461
6.5				769		384
7.0				663		331
7.5				557		278
8.0				500		245

JIB ANGLE	76°	70°	60°	50°	40°	30°	20°	10°	0°
RATED LOAD (kg)	1154	1154	837	577	442	365	327	298	288

The values shown in the table above are in compliance with British Standards on horizontal ground.

THE ABOVE TABLE IS IN COMPLIANCE WITH BRITISH STANDARDS FOR A MACHINE ON FLAT FIRM GROUND.  
 THE TABLE ABOVE ON 2 FALL OPTION A 2.5t HOOK IS REQUIRED (WEIGHT 50 Kg)  
 SLI FITTED LOAD WISE MODEL 501 CALIBRATED IN ACCORDANCE WITH THE ABOVE FIGURES.  
 WHEN ON 2 FALL DUTY 2-3 METRE RADIUS SWL 2400Kgs 3 METRE OR GREATER SWL SAME AS 4 FALL  
 THE SPECIFICATIONS IN THE CATALOGUE MAY BE CHANGED WITHOUT PRIOR NOTICE.  
 PLEASE REFER TO THE MANUAL FOR DETAILS OF SAFETY PRECAUTIONS ETC. PERTAINING TO THIS MACHINE.

The values shown in the table above are in compliance with British Standards on horizontal ground.